



M&M Manufacturing Company

www.mmmfg.com

AUSTIN
(512)-960-2370

DALLAS
(972)-485-1504

FORT WORTH
(Adolph)
(817)-334-0034

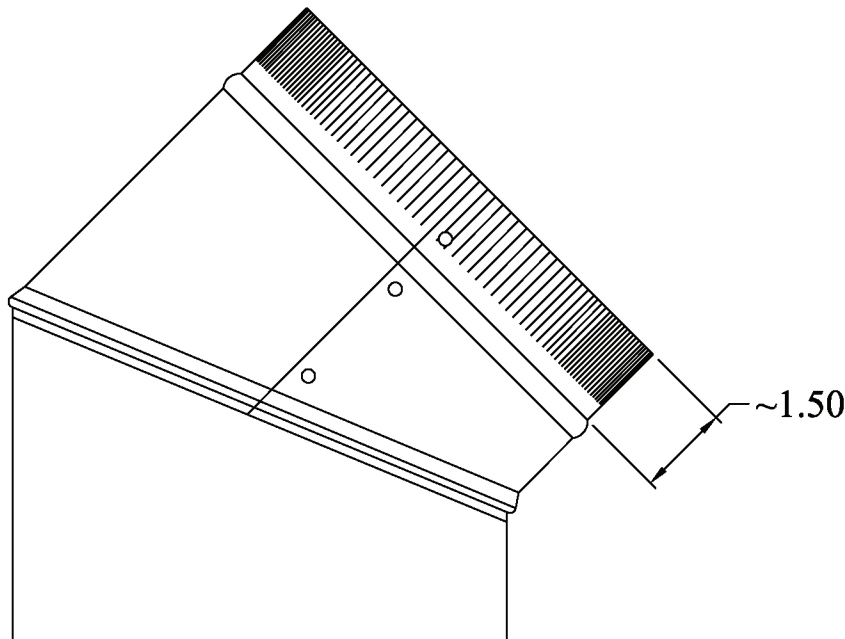
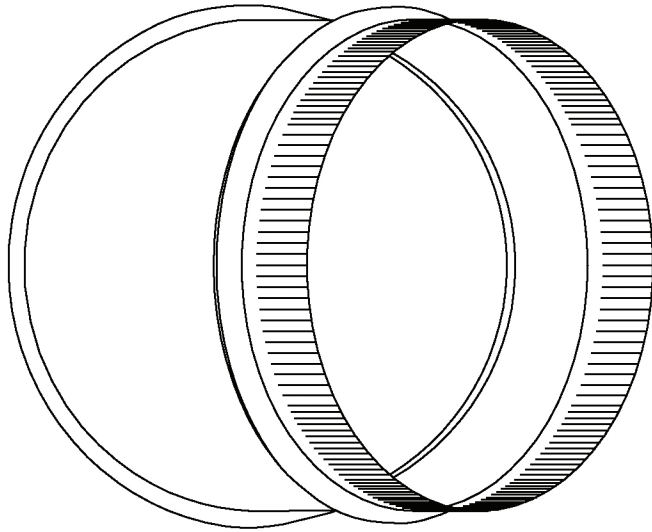
FORT WORTH
(MKIV)
(817)-336-2311

HOUSTON
(713)-690-0585

LITTLE ROCK
(501)-888-3042

PROPRIETARY INFORMATION

THIS DRAWING AND/OR DATA SHEET, AND THE CONFIDENTIAL PROPRIETARY INFORMATION THEREON, ARE THE PROPERTY OF M&M MANUFACTURING, INC. AND ARE NOT TO BE REPRODUCED OR COPIED IN WHOLE OR IN PART, OR USED FOR UNAUTHORIZED MANUFACTURING OR ANY OTHER EXPLOITATION OF THE ITEM DISCLOSED THEREIN, OR IN ANY OTHER WAY DISCLOSED OR USED FOR FURNISHING INFORMATION.



<u>30 GAUGE MATERIAL</u>		
SIZE	DEGREE	PART #
4"	45	12101304504
5"	45	12101304505
6"	45	12101304506
7"	45	12101304507
8"	45	12101304508
9"	45	12101304509
10"	45	12101304510

<u>28 GAUGE MATERIAL</u>		
SIZE	DEGREE	PART #
4"	45	12101284504
5"	45	12101284505
6"	45	12101284506
7"	45	12101284507
8"	45	12101284508
9"	45	12101284509
10"	45	12101284510
12"	45	12101284512
14"	45	12101284514

<u>26 GAUGE MATERIAL</u>		
SIZE	DEGREE	PART #
16"	45	12102264516
18"	45	12102264518

<u>24 GAUGE MATERIAL</u>		
SIZE	DEGREE	PART #
20"	45	12102244520

PART #: 150(Size) **DESCRIPTION:** Round adjustable 45° elbow

NOTES: ASTM-A653 CS B galvanized steel
2 gore, adjustable from 45° to straight