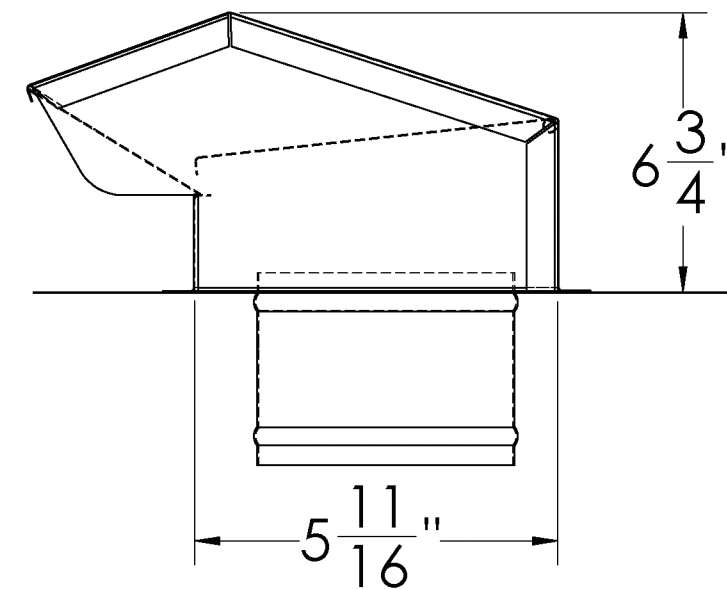
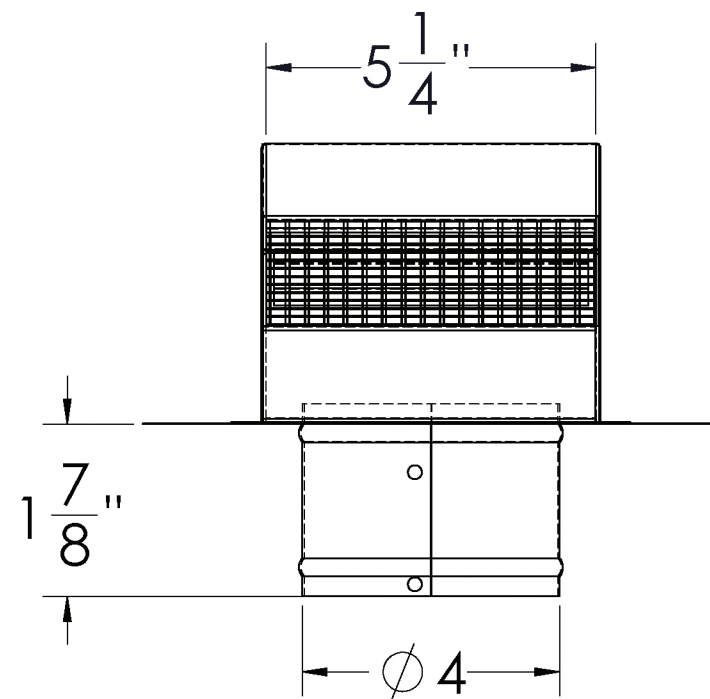
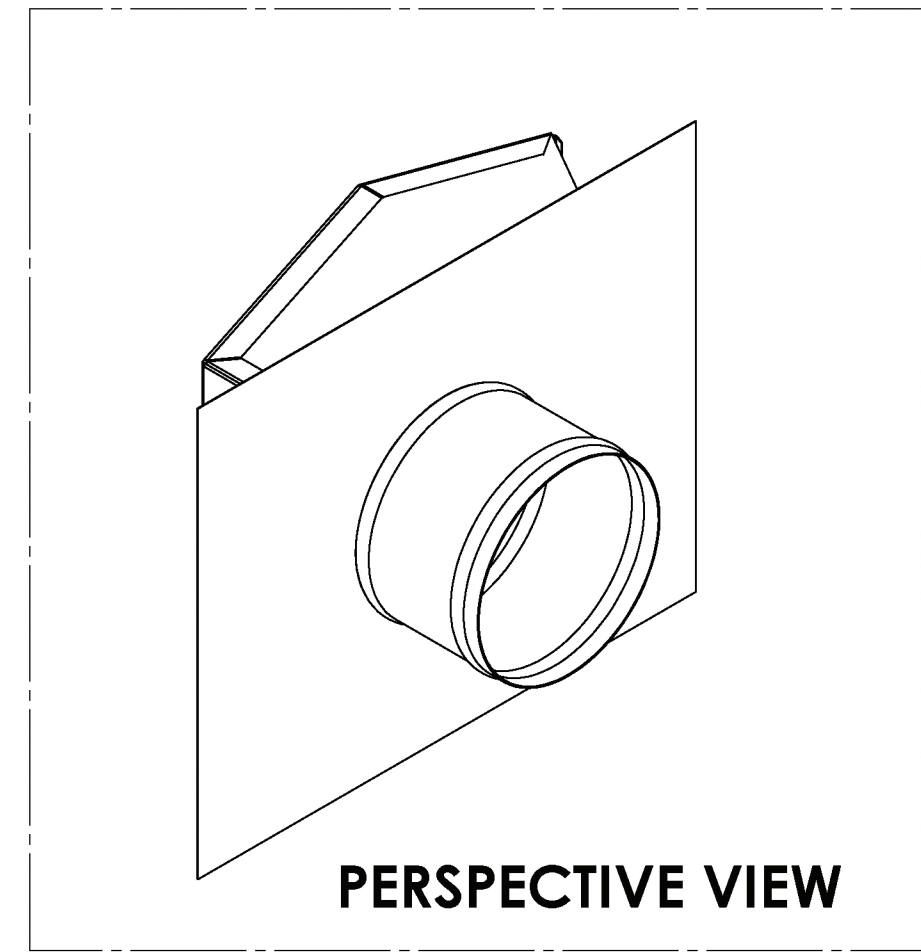
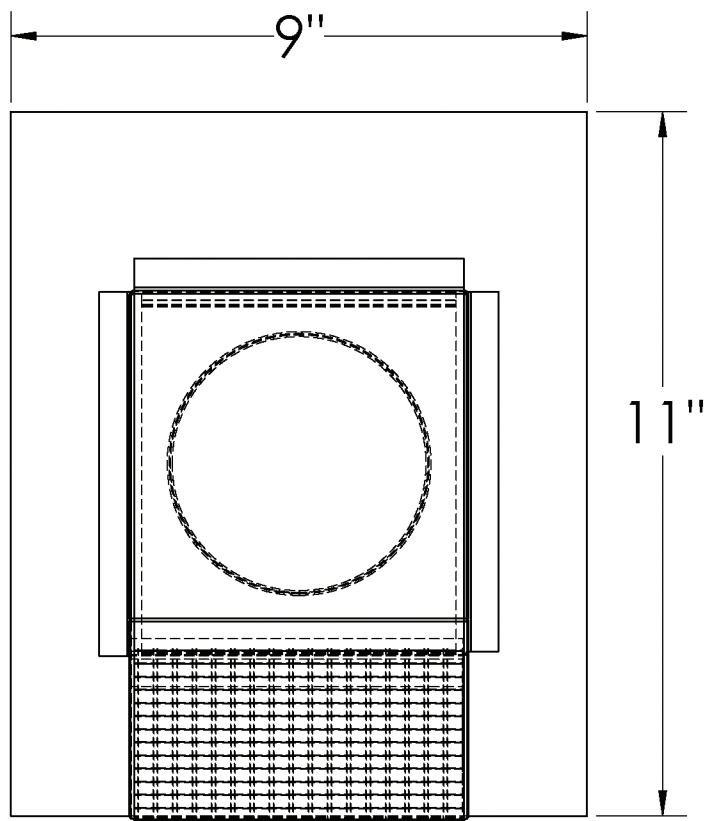
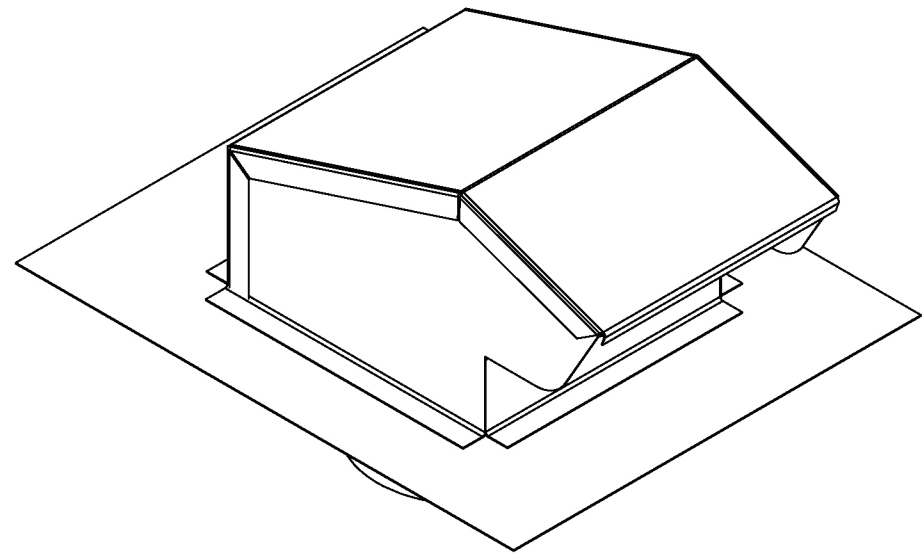



PART NUMBER	MATERIAL	COMMENTS
GNV4BL / RAV4BL	0.0145" PAINTED BLACK	DAMPER MATERIAL IS 0.016" ALUMINUM



PROPRIETARY INFORMATION
 THIS DRAWING AND/OR DATA SHEET, AND THE CONFIDENTIAL PROPRIETARY INFORMATION THEREON, ARE THE PROPERTY OF M&M MANUFACTURING, INC. AND ARE NOT TO BE REPRODUCED OR COPIED IN WHOLE OR IN PART, OR USED FOR UNAUTHORIZED MANUFACTURING OR ANY OTHER EXPLOITATION OF THE ITEM DISCLOSED THEREIN, OR IN ANY OTHER WAY DISCLOSED OR USED FOR FURNISHING INFORMATION.

NOTE: M&M RESERVES THE RIGHT TO INCREASE THE GAGE OF COMPONENT PARTS.

 M&M MFG.CO.,INC. 4001 MARK IV PKWY. P.O.BOX 163409 FORT WORTH, TX.76161 PH. (817) 336-2311 FAX.(817) 625-5193	Part title GNV4BL (LP) / RAV4BL	
	Proj. title SUBMITTAL DRAWING	
CONFIDENTIAL	Tolerances Unless Otherwise Specified X.XXXX ±.0005; X.XXX ±.002; X.XX ±.01 Fractional ±1/32 Angles ±0° 15'	
THIS DOCUMENT IS THE CONFIDENTIAL PROPRIETARY INFORMATION OF M&M MFG. CO. AND SHALL NOT BE DISCLOSED, COPIED, OR USED FOR ANY PURPOSE OTHER THAN FOR WHICH THIS DOCUMENT IS SPECIFICALLY FURNISHED WITHOUT PRIOR WRITTEN CONSENT AND APPROVAL OF M&M MFG. CO.	Dr. by A. JHAND	Date 10-12-2012
	Ck. by	Date
	App. by	Date
Part no. RAV4BL/GNV4BL(LP) /	Scale xx:xx	Asst# XXXX-XXXX
	Sheet XX of XX	Size C