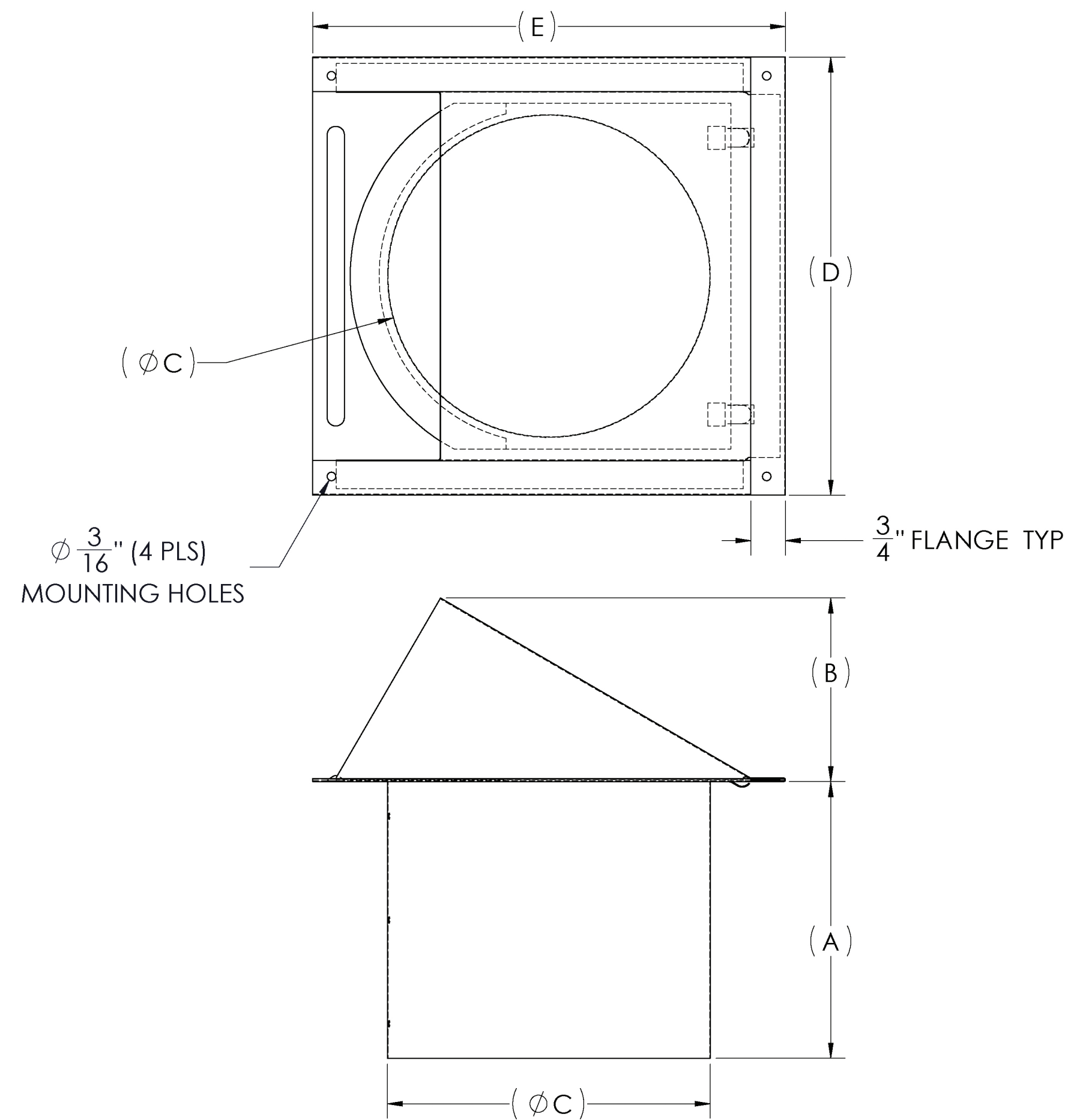
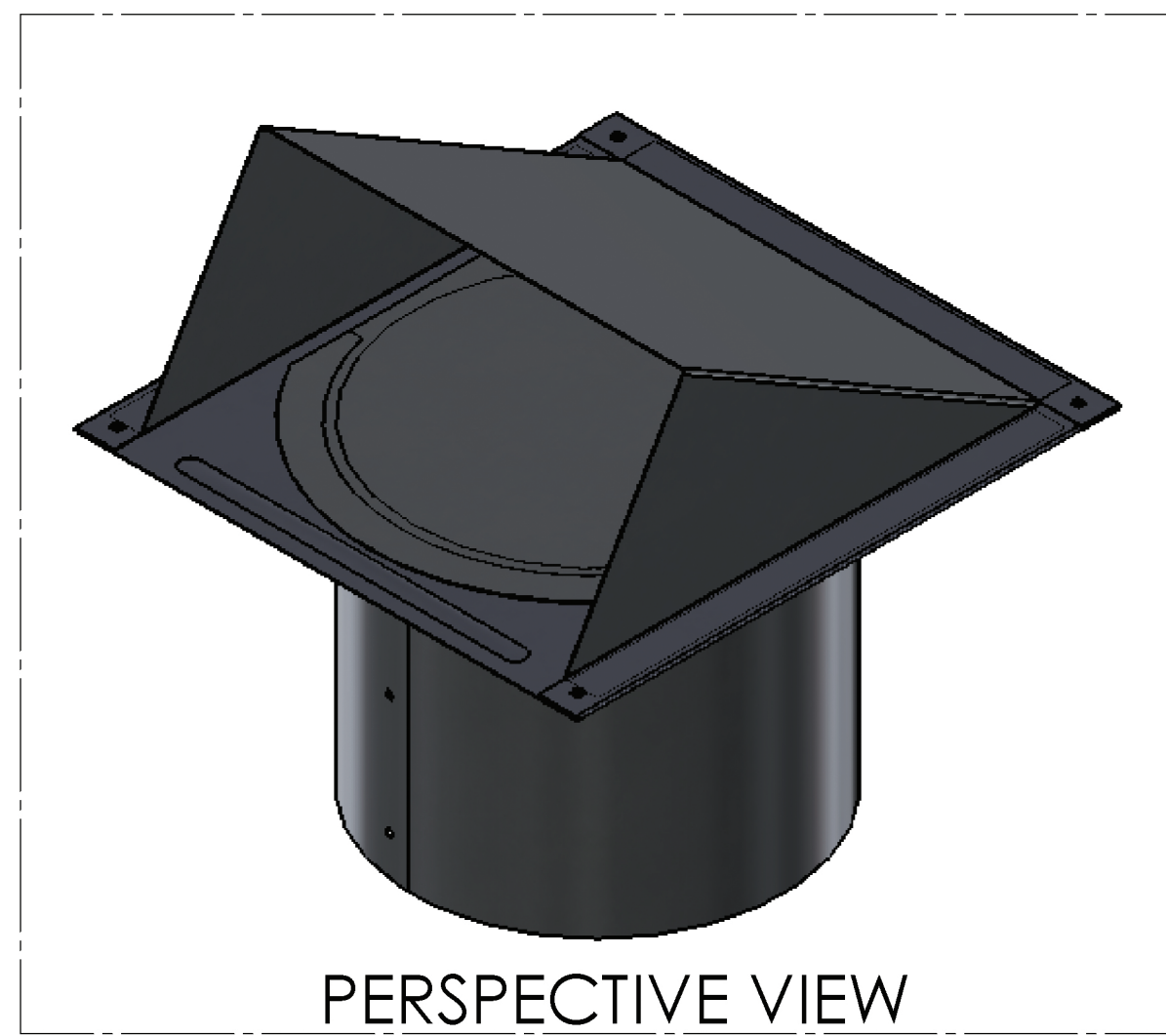


ITEM NUMBER	MATERIAL	COMMENTS	DIM. A	DIM. B	DIM. C	DIM. D	DIM. E
WVA4	0.016" ALUMINUM	PRODUCT WITH SCREEN; NO MOUNTING HOLES	4 $\frac{1}{8}$ "	3 $\frac{11}{16}$ "	4"	6 $\frac{1}{2}$ "	7 $\frac{1}{4}$ "
WVA4BL	0.0145" PAINTED BLACK	PRODUCT WITH SCREEN; NO MOUNTING HOLES	4 $\frac{1}{8}$ "	3 $\frac{11}{16}$ "	4"	6 $\frac{1}{2}$ "	7 $\frac{1}{4}$ "
WVA6	0.016" ALUMINUM	PRODUCT WITH DAMPER & MOUNTING HOLES; NO SCREEN	6"	3 $\frac{15}{16}$ "	6"	9 $\frac{1}{2}$ "	10 $\frac{1}{4}$ "
WVA7	0.016" ALUMINUM	PRODUCT WITH MOUNTING HOLES; NO SCREEN	6"	3 $\frac{15}{16}$ "	7"	9 $\frac{1}{2}$ "	10 $\frac{1}{4}$ "
WVA4/6	0.016" ALUMINUM	PRODUCT WITH DAMPER, MOUNTING HOLES, AND SCREEN	6"	3 $\frac{15}{16}$ "	4"	9 $\frac{1}{2}$ "	10 $\frac{1}{4}$ "



PROPRIETARY INFORMATION
 THIS DRAWING AND/OR DATA SHEET, AND THE CONFIDENTIAL PROPRIETARY INFORMATION THEREON, ARE THE PROPERTY OF M&M MANUFACTURING, INC. AND ARE NOT TO BE REPRODUCED OR COPIED IN WHOLE OR IN PART, OR USED FOR UNAUTHORIZED MANUFACTURING OR ANY OTHER EXPLOITATION OF THE ITEM DISCLOSED THEREIN, OR IN ANY OTHER WAY DISCLOSED OR USED FOR FURNISHING INFORMATION.

	M&M MFG.CO.,INC. 4001 MARK IV PKWY. P.O.BOX 163409 FORT WORTH, TX.76161 PH. (817) 336-2311 FAX.(817) 625-5193			Part title	ROUND WALL VENT		
	CONFIDENTIAL			Proj. title			
THIS DOCUMENT IS THE CONFIDENTIAL PROPRIETARY INFORMATION OF M&M MFG. CO. AND SHALL NOT BE DISCLOSED, COPIED, OR USED FOR ANY PURPOSE OTHER THAN FOR WHICH THIS DOCUMENT IS SPECIFICALLY FURNISHED WITHOUT PRIOR WRITTEN CONSENT AND APPROVAL OF M&M MFG. CO.			Tolerances Unless Otherwise Specified X.XXXX ±.0005; X.XXX ±.002; X.XX ±.01 Fractional ±1 Angles ±0° 15'				
			Dr. by	A. JHAND	Date	04-08-2010	Scale
App. by	K. HIGHLAND	Date	04-01-2010	Sheet		Size	C
Part no.							

NOTE: M&M RESERVES THE RIGHT TO INCREASE THE GAGE OF COMPONENT PARTS.