



# M&M Manufacturing Company

[www.mmmfg.com](http://www.mmmfg.com)

AUSTIN  
(512)-960-2370

DALLAS  
(972)-485-1504

FORT WORTH  
(Adolph)  
(817)-334-0034

FORT WORTH  
(MKIV)  
(817)-336-2311

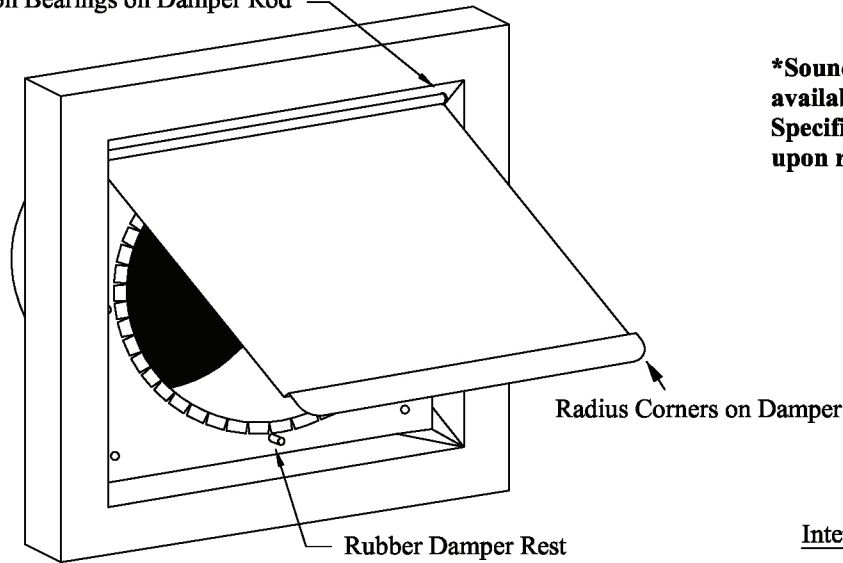
HOUSTON  
(713)-690-0585

LITTLE ROCK  
(501)-888-3042

**PROPRIETARY INFORMATION**

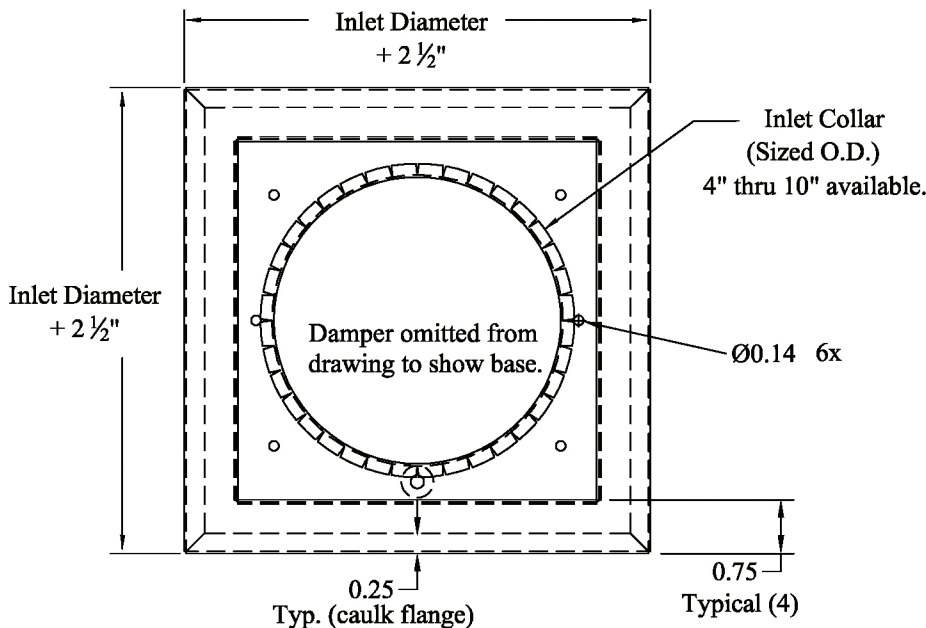
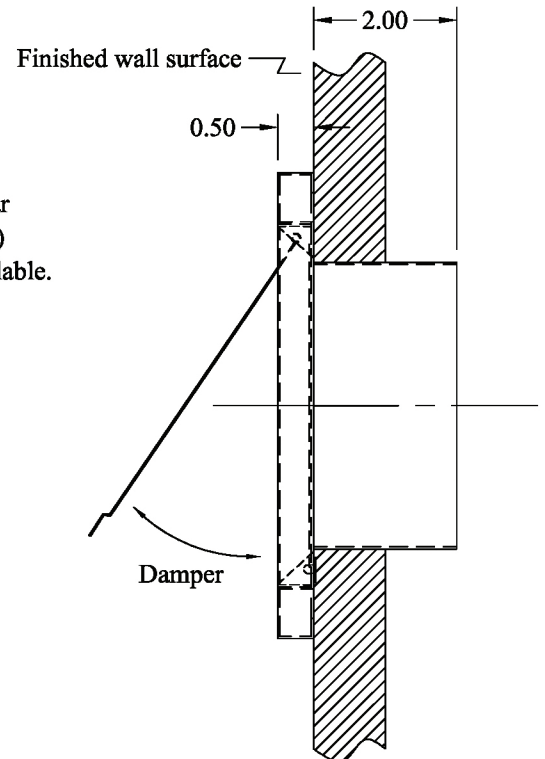
THIS DRAWING AND/OR DATA SHEET, AND THE CONFIDENTIAL PROPRIETARY INFORMATION THEREON, ARE THE PROPERTY OF M&M MANUFACTURING, INC. AND ARE NOT TO BE REPRODUCED OR COPIED IN WHOLE OR IN PART, OR USED FOR UNAUTHORIZED MANUFACTURING OR ANY OTHER EXPLOITATION OF THE ITEM DISCLOSED THEREIN, OR IN ANY OTHER WAY DISCLOSED OR USED FOR FURNISHING INFORMATION.

Nylon Bearings on Damper Rod



**\*Sound deadening pad available as option. Specifications available upon request.**

Intended Mounting Position



**PART #:** V-SBLV(Size)PC **DESCRIPTION:** Low profile wall vent

**NOTES:** Material: ASTM-A653 CS B galvanized steel

**Powder coated to job specifications**

**4" through 10" available**

**Sound deadening pad available as option (specify "with pad")**

**Order as Pt# V-SBLV(diameter in inches)PC ("with pad" if desired)**