



M&M Manufacturing Company

www.mmmfg.com

AUSTIN
(512)-960-2370

DALLAS
(972)-485-1504

FORT WORTH
(Adolph)
(817)-334-0034

FORT WORTH
(MKIV)
(817)-336-2311

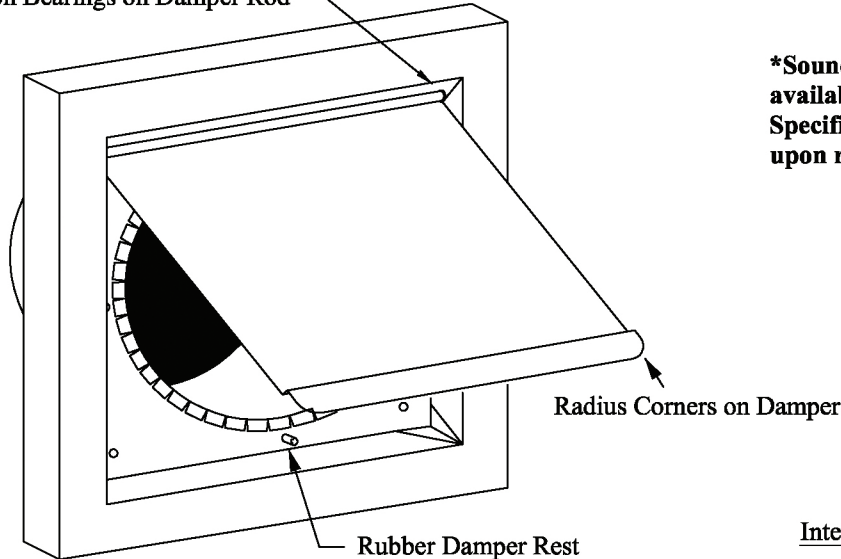
HOUSTON
(713)-690-0585

LITTLE ROCK
(501)-888-3042

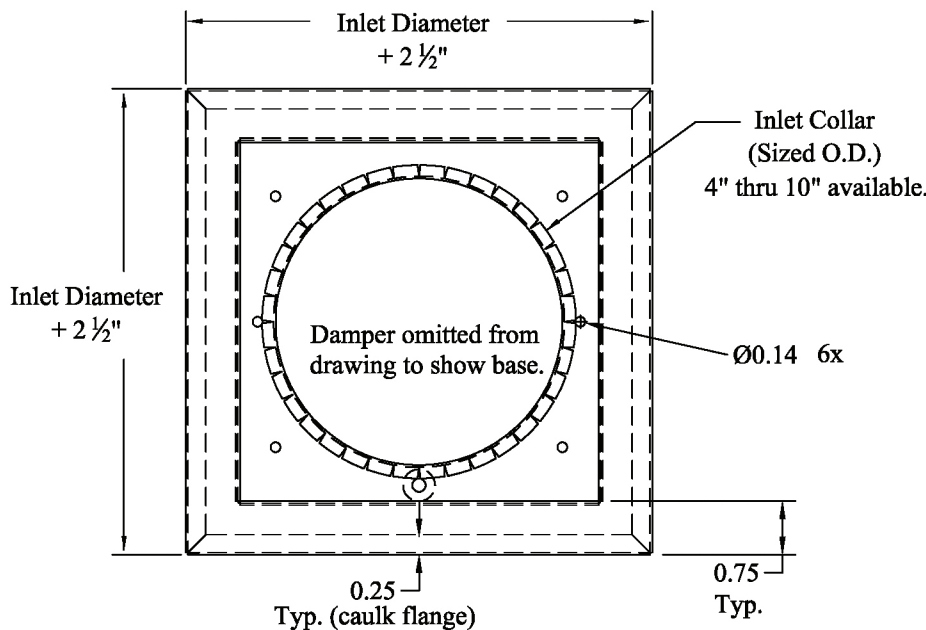
PROPRIETARY INFORMATION

THIS DRAWING AND/OR DATA SHEET, AND THE CONFIDENTIAL PROPRIETARY INFORMATION THEREON, ARE THE PROPERTY OF M&M MANUFACTURING, INC. AND ARE NOT TO BE REPRODUCED OR COPIED IN WHOLE OR IN PART, OR USED FOR UNAUTHORIZED MANUFACTURING OR ANY OTHER EXPLOITATION OF THE ITEM DISCLOSED THEREIN, OR IN ANY OTHER WAY DISCLOSED OR USED FOR FURNISHING INFORMATION.

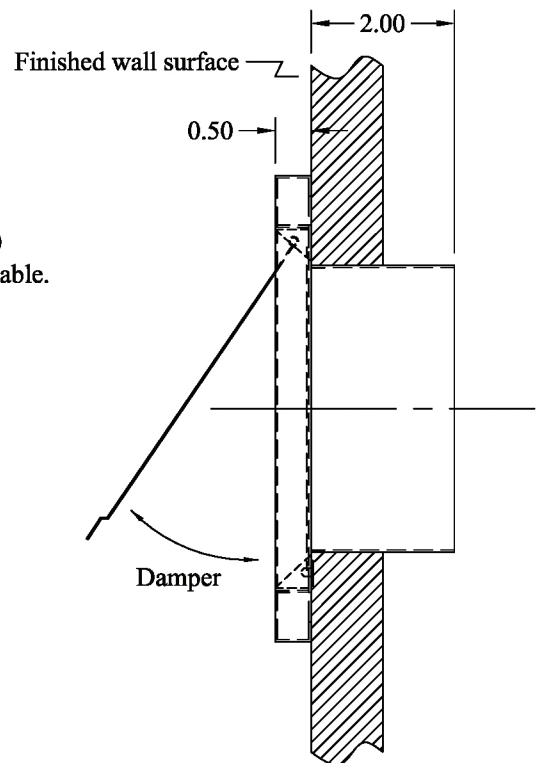
Nylon Bearings on Damper Rod



***Sound deadening pad available as option. Specifications available upon request.**



Intended Mounting Position



PART #: V-SBLV(Size)WC2 **DESCRIPTION:** Low profile wall vent

NOTES: Material: ASTM-A653 CS B bonderized and phosphatized galvanized steel
 Paint ready after surface cleaning
 4" through 10" available
 Sound deadening pad available as option (specify "with pad")
 Order as Pt# V-SBLV(diameter in inches)WC2 ("with pad" if desired)