

FORT WORTH • DALLAS • HOUSTON  
**M&M Manufacturing Company**



Over A Half Century of  
Quality Sheet Metal Products!

**We've partnered with**



Bringing you the best Type-B Gas Vent Pipe & Fittings in the industry!

**More Convenience for you from M&M!**

**More Service for you from M&M!**

**More Quality for you from M&M!**

*Reduce your inventory!  
Get small fill-in orders!  
No truckload requirement!  
Regular delivery!*

**Fort Worth**  
4001 Mark IV Parkway  
(817) 336-2311 ph  
(817) 625-0756 fx

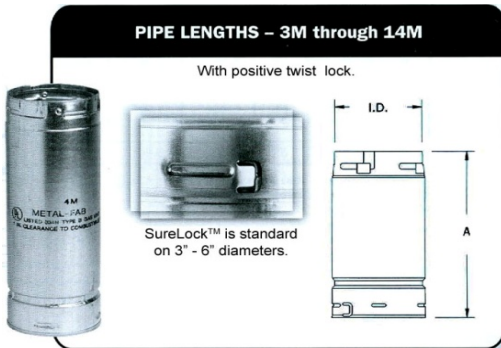
**Houston**  
5555 Guhn Road  
(713) 690-0585 ph  
(713) 690-7248 fx

[www.mmmfg.com](http://www.mmmfg.com)

# 4" TYPE - B GAS VENT PIPE & FITTINGS

Offered in convenience order quantities and delivered on our regularly scheduled trucks. **More service from M&M.**

Ask your M&M rep for a brochure with complete B - Vent Details



P/N	Size	A	CTN. Pcs.
MF-4M12	4"	12.000"	6
MF-4M18	4"	18.000"	6
MF-4M24	4"	24.000"	6
MF-4M3	4"	36.000"	6
MF-4M4	4"	48.000"	6
MF-4M5	4"	60.000"	6

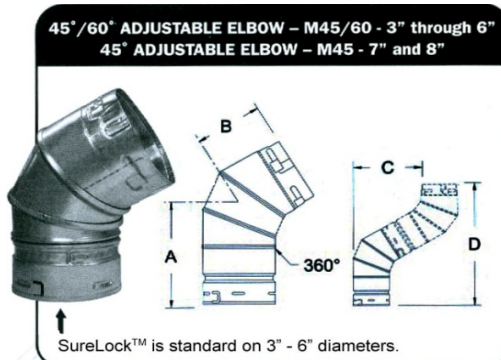


P/N	Size	A	CTN. Pcs.
MF-4M12A	4"	Adjusts from 3" to 8"	6



P/N	Size	A	B	C	D	CTN. Pcs.
MF-4M90	4"	5.250"	6.250"	1.750"	9.500"	24

The five piece 4M90 short radius elbow is fully adjustable from 0° (straight) to 90°. The 360° rotating collar allows for desired orientation of vent pipe.



P/N	Size	A	B	C 45°	D 45°	CTN. Pcs.
MF-4M45/60	4"	4.628"	3.528"	4.707"	12.863"	12
				60° » 5.884"	11.691"	

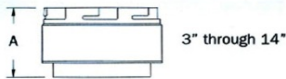
The four piece 4M45/60 short radius elbow is fully adjustable from 0°(straight) to 90°. The 360° rotating collar allows for desired orientation of vent pipe.

# 4" TYPE - B GAS VENT PIPE & FITTINGS

Offered in convenience order quantities and delivered on our regularly scheduled trucks. **More service from M&M.**

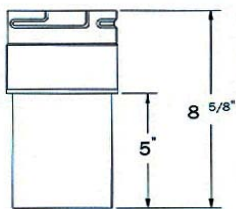
Ask your M&M rep for a brochure with complete B - Vent Details

## DRAFTHOOD CONNECTOR – MDC



P/N	Size	A	CTN. Pcs.
MF-4MDC	4"	4.875"	6

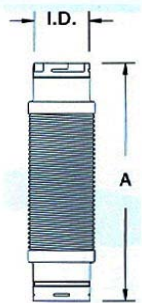
## EASYOUT™ DRAFTHOOD CONNECTOR – 4MDC-CB



P/N	Size	A	CTN. Pcs.
MF-4MDC-CB	4"		6

Connects to a furnace's internal vent elbow and exits the cabinet where B-Vent can then be connected. Designed for specific Carrier, Bryant and Payne gas furnaces, see spec sheet for models.

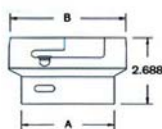
## B-FLEX FLEXIBLE B-VENT MDWF - 3" through 6"



P/N	Size	A	CTN. Pcs.
MF-MDWF0402	4"	2'	12
MF-MDWF0403	4"	3'	6
MF-MDWF0404	4"	4'	6

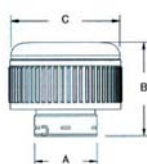
Use as a connection of appliance to common B-Vent or as a segment of B-Vent except where it penetrates the structure; walls, floors, ceilings, roof.

## NO-HEIGHT INCREASER - MIN



P/N	Size	A	B	CTN. Pcs.
MF-3MIN4	4"	3"	4"	12

## VENT CAP – MCHP - 3" through 6"



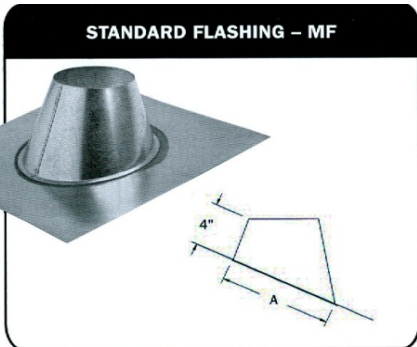
P/N	SIZE	A	B	C	CTN. Pcs.
MF-4MCHP	4"	4.5"	8.5625"	8.25"	12

SureLock™ is standard on 4" diameter

# 4" TYPE - B GAS VENT PIPE & FITTINGS

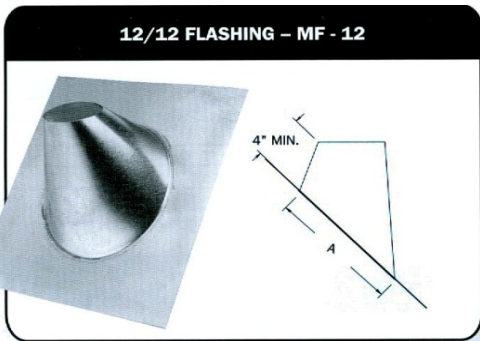
Offered in convenience order quantities and delivered on our regularly scheduled trucks. **More service from M&M.**

Ask your M&M rep for a brochure with complete B - Vent Details



P/N	SIZE	A	PLATE	CTN. Pcs.
MF-4MF	4"	7.500"	14.625" x 14.625"	12

Fits roof pitch from 2/12 to 5/12

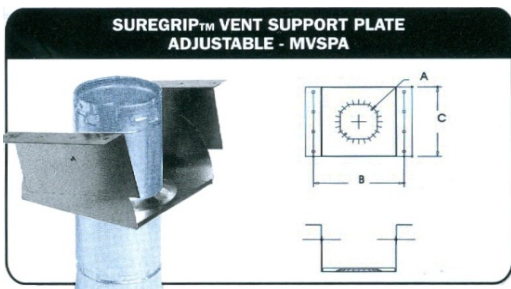


P/N	SIZE	A	PLATE	CTN. Pcs.
MF-4MF-12	4"	12.000"	20" x 20"	6

Fits roof pitch 6/12 to 12/12



P/N	SIZE		CTN. Pcs.
MF-4MSC	4"		24



P/N	SIZE	A	B	C	CTN. Pcs.
MF-4MVSPA	4"	4.475"	8.500"	7.000"	12

NOTE: Pipe not included.