

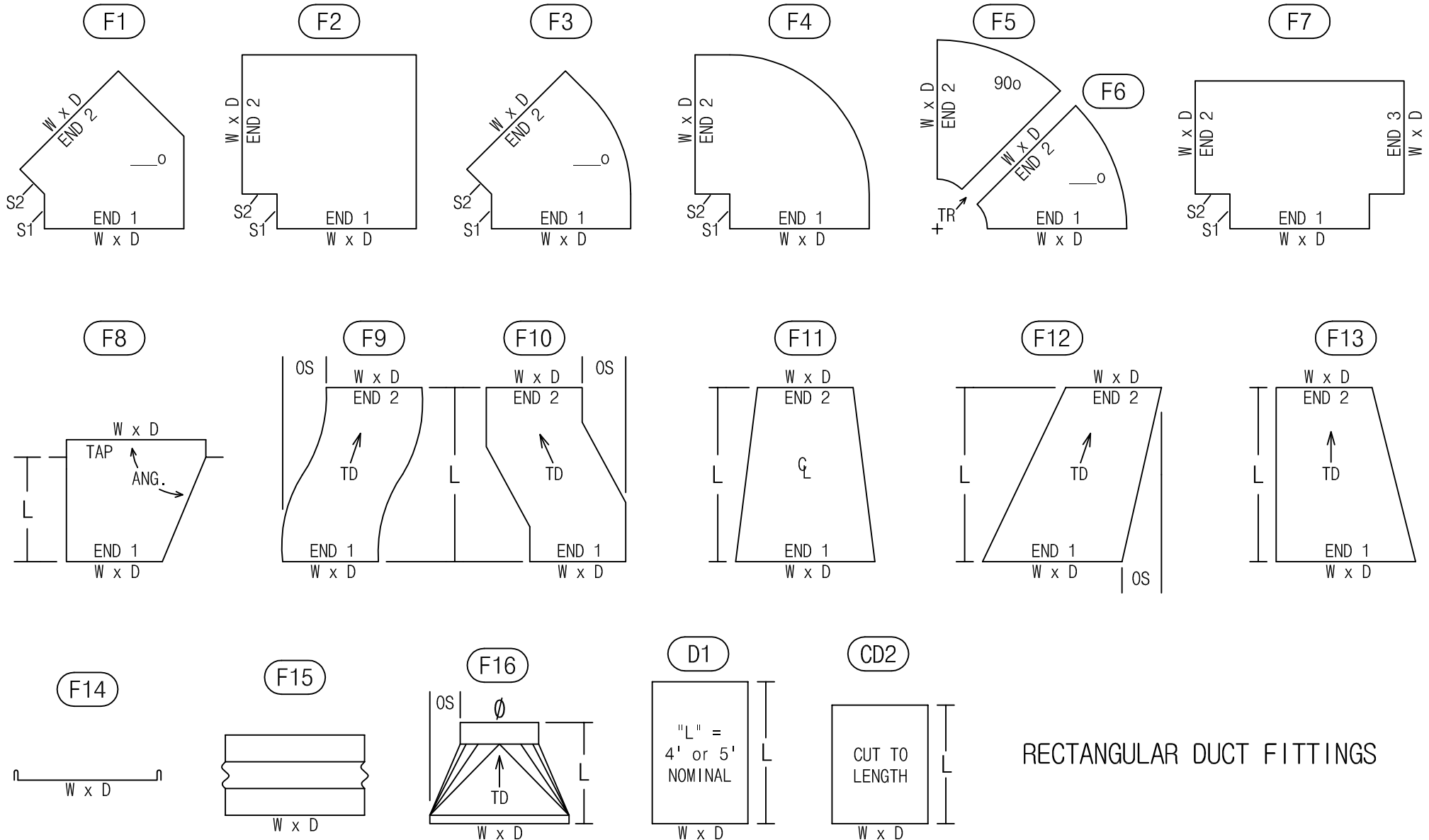


M&M MANUFACTURING COMPANY  
COMMERCIAL SHEET METAL FABRICATION

GARLAND PH: (972) 485-1504 FAX: (972) 485-1314  
FORT WORTH PH: (817) 334-0034 FAX: (817) 336-5274  
HOUSTON PH: (713) 589-5847 FAX: (713) 460-1687

F1 - NON 90° SQ. ELBOW  
F2 - 90° SQ. ELBOW  
F3 - NON 90° RAD. HEEL ELBOW  
F4 - 90° RAD. HEEL ELBOW  
F5 - 90° FULL RADIUS ELBOW  
F6 - NON 90° FULL RADIUS ELBOW  
F7 - BULL TEE  
F8 - SHOE TAP  
F9 - RAD. OFFSET

F10 - SQ. OFFSET  
F11 - CL TRANSITION  
F12 - OFFSET TRANSITION  
F13 - FLAT SIDE TRANSITION  
F14 - END CAP  
F15 - FLEX CONNECTOR  
F16 - SQ. TO RD. TRANSITION  
D1 - 4' & 5' STD. LENGTH DUCT  
CD2 - NON STD. LENGTH CUT DUCT



RECTANGULAR DUCT FITTINGS